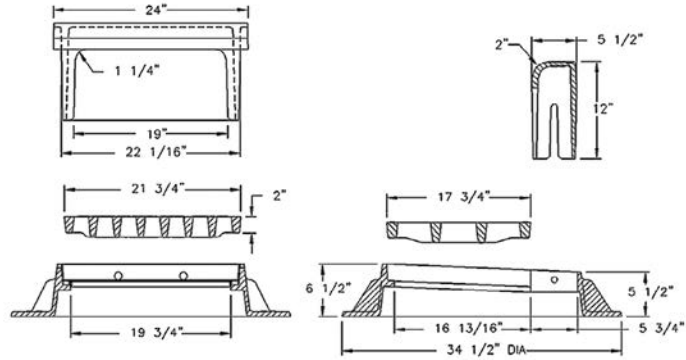


7504 CATCH BASIN CURB INLET

Heavy duty
 Ductile iron
 Type M grate with 7504T Back
 "DUMP NO WASTE" lettering and fish image on back and grate
 M2 Vane grate with "DUMP NO WASTE" lettering and fish image

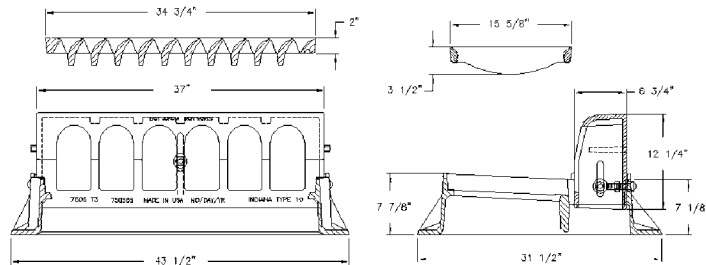


7505 CATCH BASIN CURB INLET

Heavy duty
 With Type M3 Vane Grate and T4 Back
 Approximate 400 sq. in. open area
 Curb back height adjusts from 5 1/4" to 8 3/4"
 "DUMP NO WASTE!" lettering and fish image on backs



Type M1 Flat Bar Grate
 Approx. 190 sq. in. open area
 Available in gray or ductile iron



Supplied By:



877-903-7246

www.trenchdrainsupply.com

